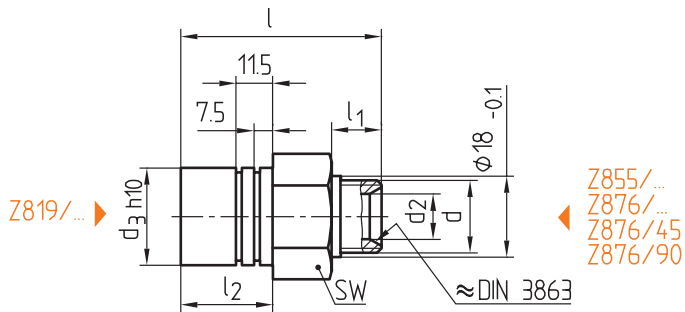


Z 809/...

Mat.: 2.0401



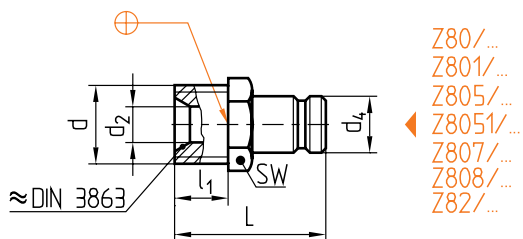
► Info



p [bar]	max. °C	SW	l <sub>2</sub>	l <sub>1</sub>	l	d <sub>3</sub>	d <sub>2</sub>	Typ	d	Nr./No.
20	Viton®/200	24	24	11	48	21,5	9	13	M16x1,5	Z809/13/16x1,5
									G3/8A	13/R3/8

Z 81/...

Mat.: 2.0401



► Info



L	l <sub>1</sub>	SW	d <sub>2</sub>	d <sub>4</sub>	d	Nr./No.	L	l <sub>1</sub>	SW	d <sub>2</sub>	d <sub>4</sub>	d	Nr./No.	
24	7	11	4,5	9	M 8x0,75	Z81/9/ 8x0,75	26	9	15	9	13	M14x1,5	Z81/13/14x1,5	
			6		M10x1	9/10x1						G1/4A	13/R1/4	
					G1/8A	9/R1/8						M16x1,5	13/16x1,5	
					M14x1,5	9/14x1,5						G3/8A	13/R3/8	
26	9	15			G1/4A	9/R1/4	51	16	27	13	19	M24x1,5	19/24x1,5	
							47	12	22				G1/2A	19/R1/2
							51	16	27				G3/4A	19/R3/4

This is trial version  
www.adultpdf.com